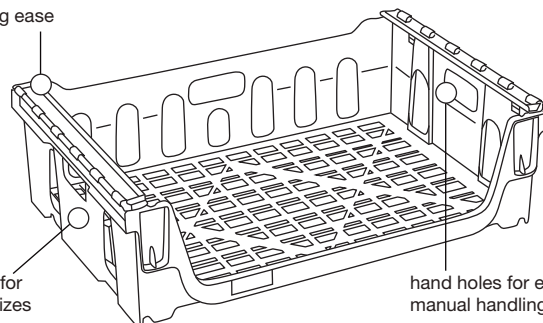




slide stacking feature for added stacking ease

baskets sized for different loaf sizes

hand holes for easy manual handling



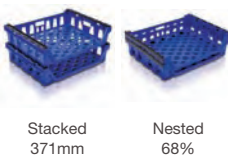
Plastic baskets designed specifically for the distribution of bread and morning goods.

○ SN150201

Open fronted stack and nest basket with positive slide stacking to ensure secure stacking.

suitable for:

- bread deliveries
- morning goods



Technical specification

Ext.Top Dim.	788 x 617 x 190mm
Int.Base Dim.	723 x 569 x 165mm
Load	145kg on base tray
Capacity	68 litres
Weight	2.4kg
Material	Polypropylene
Colour	Blue



○ SN121202

Open fronted stack and nest basket with positive slide stacking to ensure secure stacking.

suitable for:

- bread deliveries
- morning goods



Technical specification

Ext.Top Dim.	762 x 508 x 216mm
Int.Base Dim.	697 x 463 x 190mm
Load	120kg on base tray
Capacity	65 litres
Weight	1.9kg
Material	Polypropylene
Colour	Grey

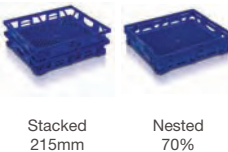


○ SN645401

Stack and nest bread bun tray with rigid base for conveyor and automated handling.

suitable for:

- morning goods
- confectionery



Technical specification

Ext.Top Dim.	640 x 540 x 117mm
Int.Base Dim.	595 x 505 x 88mm
Load	100kg on base tray
Capacity	26 litres
Weight	1.5kg
Material	Polypropylene
Colour	Blue



○ SN151501

Open fronted stack and nest basket that stacks and nests by turning through 90°.

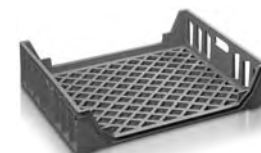
suitable for:

- bread deliveries
- morning goods



Technical specification

Ext.Top Dim.	772 x 627 x 176mm
Int.Base Dim.	716 x 586 x 149mm
Load	145kg on base tray
Capacity	63 litres
Weight	2.1kg
Material	Polypropylene
Colour	Grey



○ SN150401

Open fronted stack and nest basket with positive slide stacking to ensure secure stacking.

suitable for:

- bread deliveries
- morning goods



Stacked
375mm

Nested
70%

Technical specification

Ext.Top Dim.	815 x 635 x 192mm
Int.Base Dim.	739 x 595 x 168mm
Load	145kg on base tray
Capacity	75 litres
Weight	2.7kg
Material	Polypropylene
Colour	Grey

